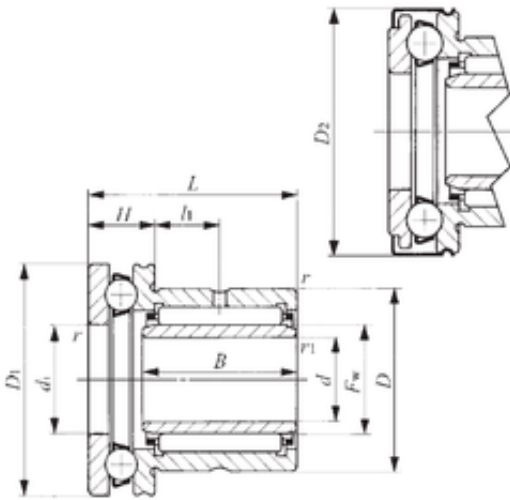


25 mm x 42 mm x 20,5 mm IKO NAXI 2530Z Cojinetes Complejos

Bearing No. NAXI 2530Z



NAXI 2530Z Bearing 2D drawings and 3D CAD models

Bore Diameter	25 mm
Outer Diameter	42 mm
d	25 mm
Fw	30 mm
D	42 mm
D1	47 mm
D2	48 mm
B	20,5 mm
d1	30 mm
r min.	0,6 mm
r1 min.	0,3 mm
H	11 mm
L	30 mm
L1	9,5 mm
da min.	40 mm
db	29 mm
Weight	0,185 Kg
Dynamic load rating radial (C)	25,1 kN
Dynamic load rating axial (C)	20,4 kN
Static load rating radial (C0)	40,1 kN
Static load rating axial (C0)	33,6 kN